



Document intended for the exclusive use of healthcare professionals. C-Plate® is a range of CE marked medical devices of classes IIb, IIa, Im and I manufactured by the LDR Medical company. The conformity assessment of classes IIb, IIa and Im devices was carried out by the Notified Body LNE-G-MED N°0459. The C-Plate® Implant is a non-sterile cervical plate system intended to provide immobilization and stabilization of spinal segments during the development of a cervical spinal fusion through anterior approach. The C-Plate® instruments constitute an instrument set intended to allow the C-Plate® implant implantation. Before any surgical procedure, read carefully the instructions and the surgical technique.

@2016 LDR Holding Corporation and its affiliates. All Rights Reserved.
LDR, LDR Spine, LDR Medical, Avenue, Bt-Pack, Bf+, Bf+(ph), C-Plate, EasySpine, InterBRIDGE, MC+, MIVO, Mobl, Mobil-C, Mobilis, ROI, ROI-A, ROI-C, ROI-T, SpineTune, and VerteBRIDGE are trademarks or registered trademarks of LDR Holding Corporation or its affiliates in France, the United States or other countries.

EUROPE
Parc d'entreprises du Grand Troyes
5 rue de Berlin
10300 Sainte-Savine, France
Adresse postale : CS 80002
10302 Sainte-Savine CEDEX
+33 (0)3 25 82 32 63

ASIA-PACIFIC
Suite 1001, Great Eagle Centre,
23 Harbour Road,
Wanchai,
Hong Kong
(+852) 3955 1838

LATIN AMERICA
Av. Pereira Barreto, 1395
19º andar
Torre Sul - Bairro Paraiso
Santo André - São Paulo
CEP: 09190-610
Brazil
+ 55 11 43327755

UNITED STATES
13785 Research Boulevard
Suite 200
Austin, TX 78750
USA
+1 (512) 344 3333

www.lldr.com



LDR is now part of **ZIMMER BIOMET**
Your progress. Our promise.™

LDR
a passion for innovation®

C-Plate®
ANTERIOR CERVICAL PLATE



C-Plate®

ANTERIOR CERVICAL PLATE



A secured maintaining of screws



A self-locking mechanism slides over screw heads after final tightening.

1



Screw head goes below the self-locking mechanism

2



3

Final tightening: anti-backout system

A low profile design

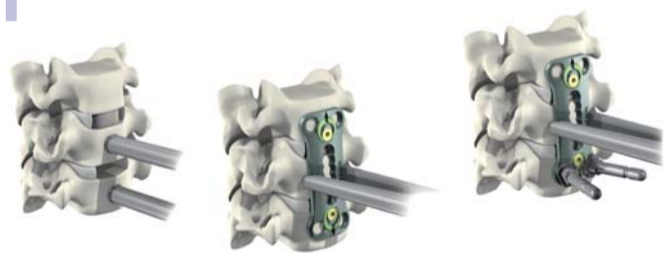
Only **1,6 mm thick**, C-Plate is one of the lowest profile plating systems on the market.

Its narrow thickness, its atraumatic integrated locking mechanism and its anatomical design provide C-Plate a system decreasing the risk of the post-surgery complications (conflict with oesophagus).



A simple procedure

1 Vertebral space preparation and plate positioning



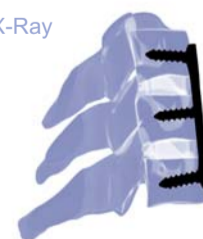
2 Screw path creation and screw insertion



3 Final locking and controls



X-Ray



A wide range

A full range of **semi-fixed** and **variable screws** and **cervical plates** cover multiple indications while filling the surgeons habits.

From 10 to 18 mm length



From 22 to 70 mm



Ø3,5 mm



Ø4,0 mm



Ø3,5 mm

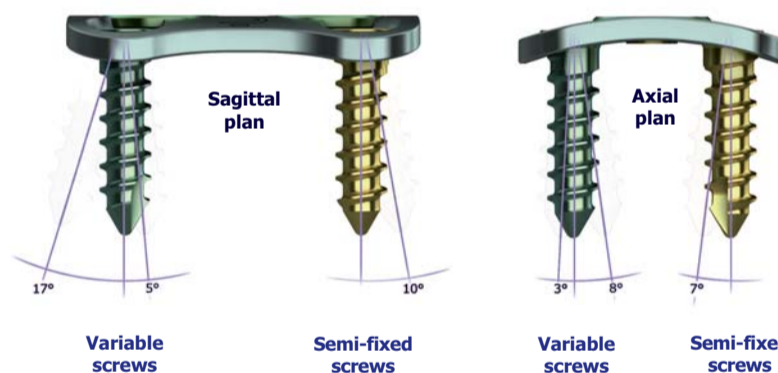


Ø4,0 mm

Semi-fixed screws

Variable screws

Screw insertion angulation



Variable screws

Semi-fixed screws

Variable screws

Semi-fixed screws

- The preparation of the implant is simplified thanks to the **pre-bend** design of the plates in both plans (sagittal and axial).
- Tapping is optional thanks to the use of **self-tapping** screws.
- The "no-touch" prehension of the screws in the rack is easy due to the self-retaining print of the screw heads.